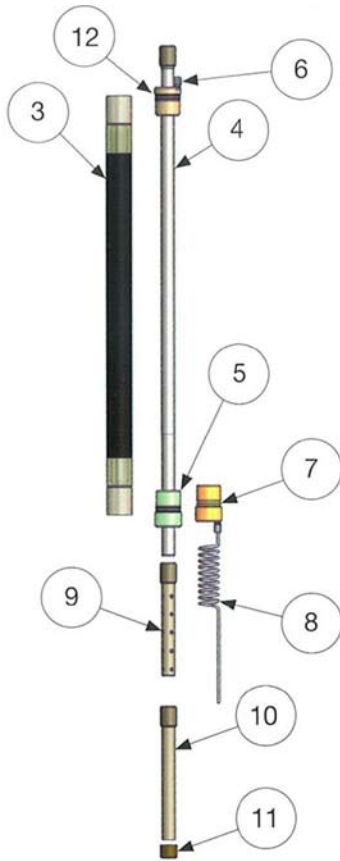


Packer 73



SYSTEMS	ITEM-NO.
Single Packer 500	532619
Single Packer 1000	532620
Double Packer 500	532621
Double Packer 1000	532622

POS. PARTS	ITEM-NO.
3 Sleeve 500	532705
3 Sleeve 1000	532706
4 Mandrel / Fixend 500	532668
4 Mandrel / Fixend 1000	532698
5 Sliding end	532670
6 Connection line	532651
7 Sliding end DP top	532676
8 Spiral	532675
9 Interval outlet	532674
10 Interval tube	532671
11 Interval end	532673
12 Fix element	532669
13 Set of O-Rings	532660

ADVANTAGES

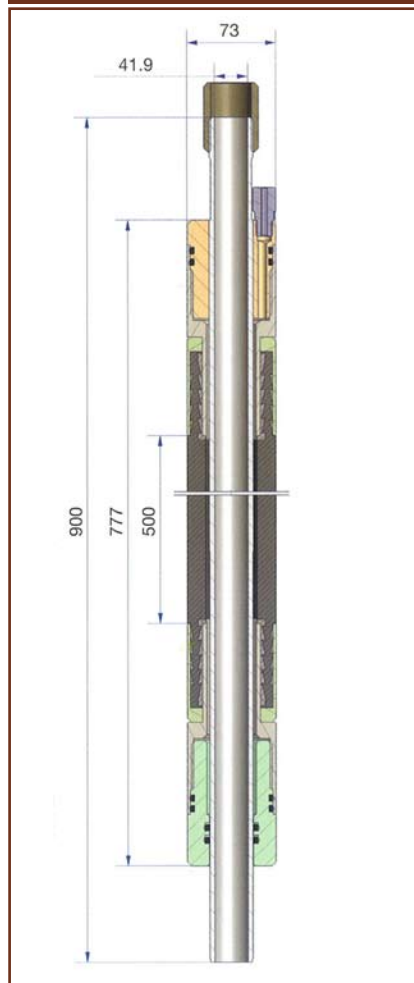
- high inflation pressures
- large inflation diameters
- big mandrel diameters
- long durability
- only stainless steel
- aramid and steel reinforcement
- high quality rubber
- different systems available:
single-, double- and multi-packer systems
- each packer individually made
- special models available -
tailored to your specifications

TECHNICAL DATA

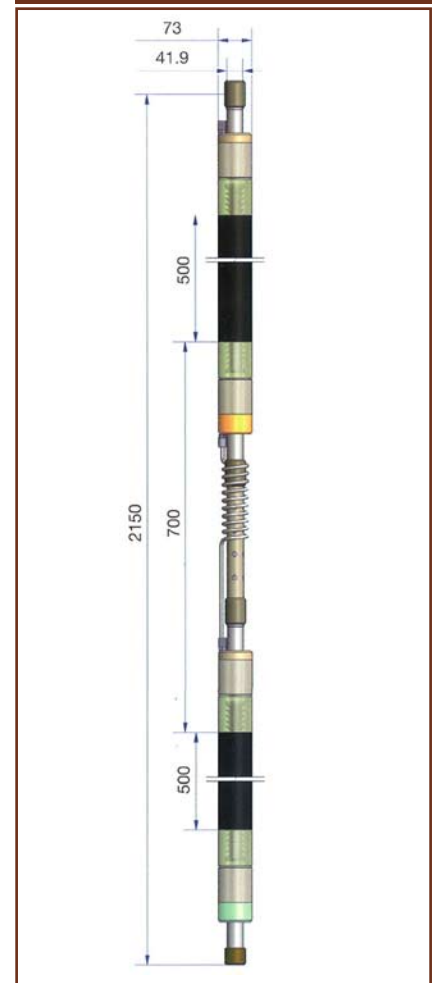
boreholes diameter	76-150 mm
packer outer diameter	73 mm
mandrel inner diameter	41,9 mm
rubber length	500 /1000 mm
threads	G 1,5"

Technical specifications subject to change

SINGLE PACKER



DOUBLE PACKER



PACKER PERFORMANCE

boreholes diameter [mm]	76	80	85	90	95	100	105	110	115	120	125	130	135	140	145	150
inflation pressure [bar]	110	100	90	80	70	60	55	50	40	35	30	30	25	25	25	20